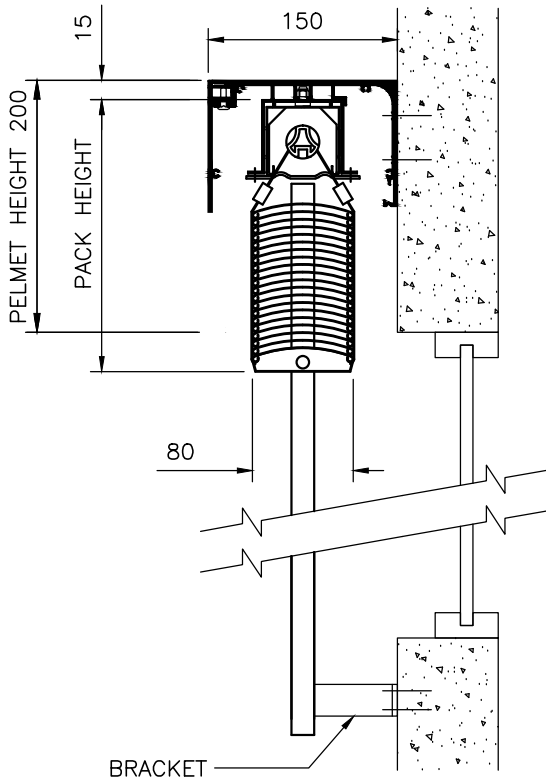
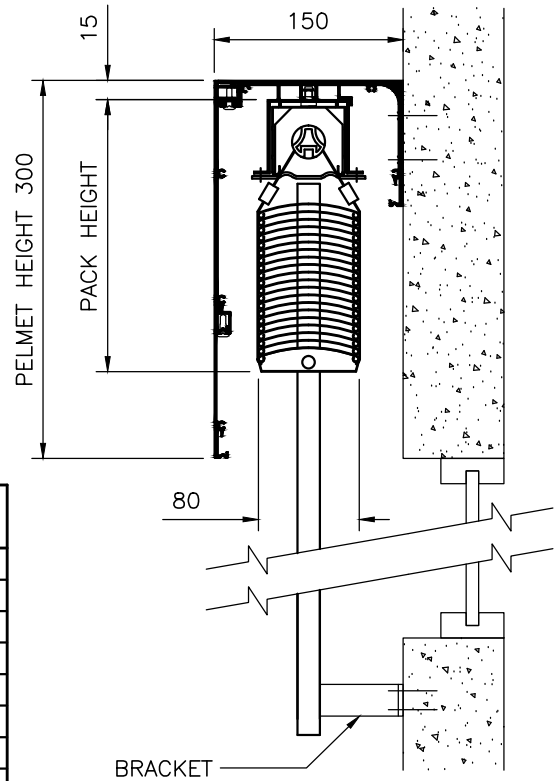


**RETRACTED BLIND – FACE FIXED  
(SHOWN WITH 'TYPE 1' PELMET)**

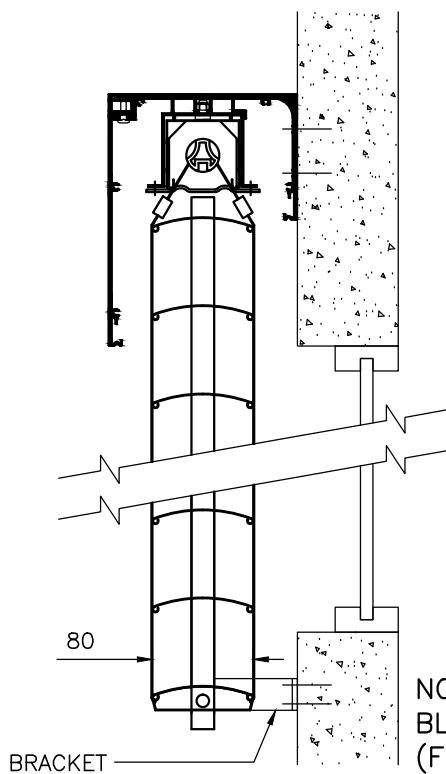


**RETRACTED BLIND – FACE FIXED  
(SHOWN WITH 'TYPE 1' PELMET & EXTENSION)**

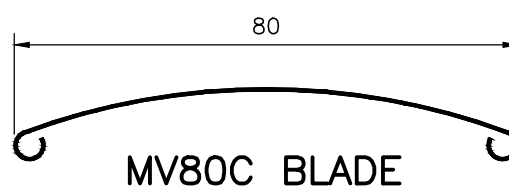
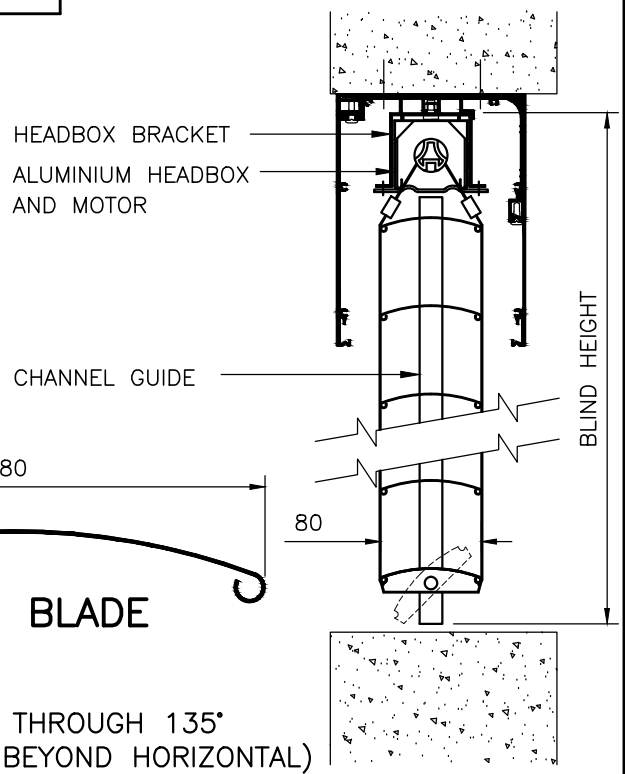


BLIND HEIGHT	PACK HEIGHT
750-1000	180
1001-1250	200
1251-1500	220
1501-1750	240
1751-2000	260
2001-2250	280
2251-2500	300
2501-2750	320
2751-3000	340
3001-3250	360
3251-3500	380
3501-3750	400
3751-4000	420

**EXTENDED BLIND – FACE FIXED  
(SHOWN WITH 'TYPE 1' PELMET)**



**EXTENDED BLIND – REVEAL FIXED  
(SHOWN WITH 'TYPE 2' PELMET)**



**NOTE**  
BLADE CAN ROTATE THROUGH 135°  
(FROM CLOSED TO BEYOND HORIZONTAL)

**MV80C MAXIM EXTERNAL VENETIAN BLINDS  
WITH PELMET AND CHANNEL GUIDES**

[www.maximlouvres.com.au](http://www.maximlouvres.com.au)

**maxim**  
MV80C  
DWG No.: CHANNEL GUIDES  
DWG DATE: 14-NOV-2017  
**louvres**