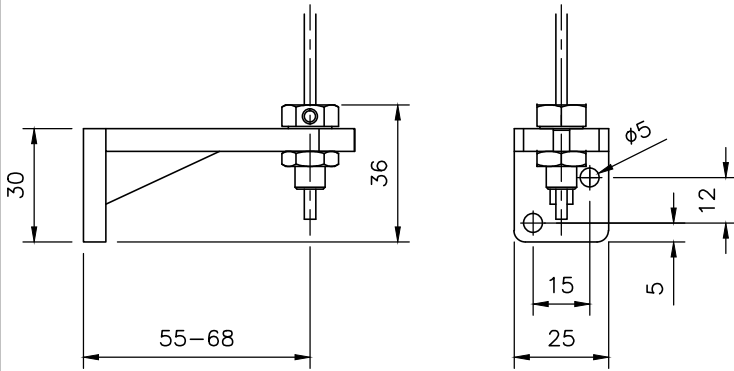
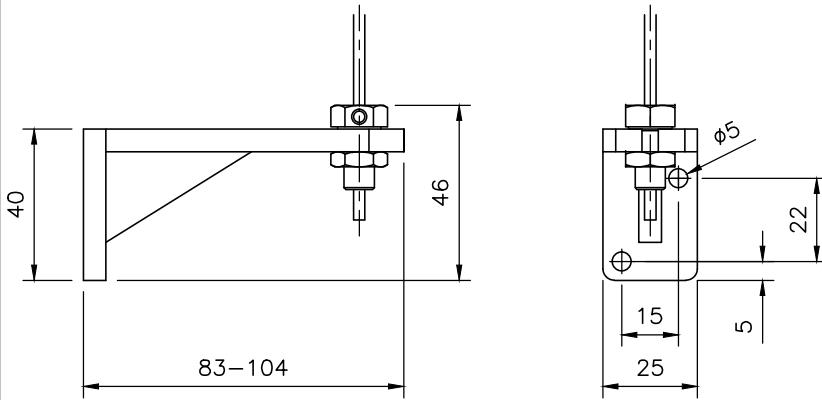
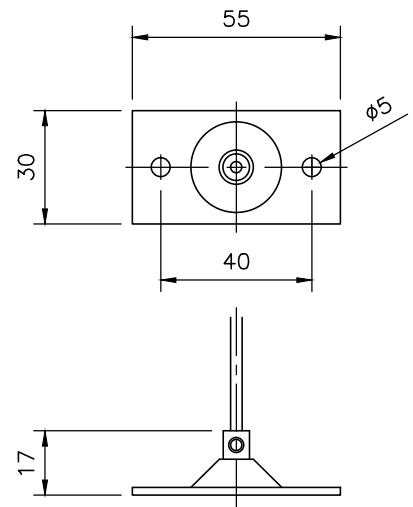


DL 1 – WIRE HOLDER

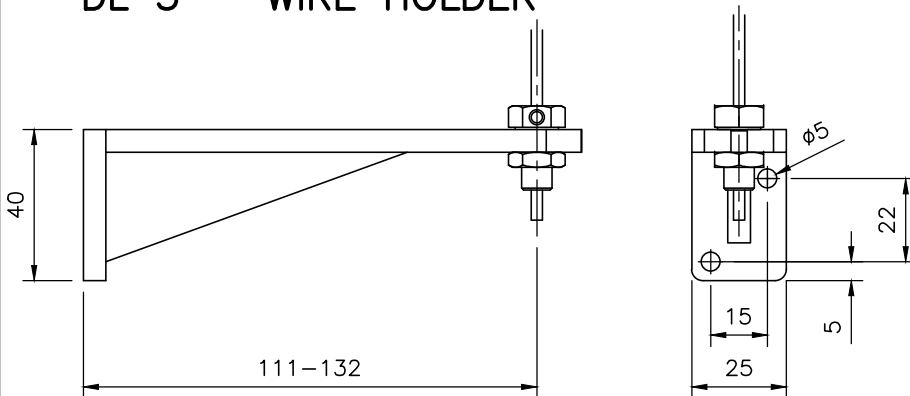
DL 4 – WIRE HOLDER



DL 2 – WIRE HOLDER



DL 3 – WIRE HOLDER



MV MAXIM EXTERNAL VENETIAN BLINDS  
 STAINLESS STEEL WIRE GUIDE  
 BRACKET OPTIONS

www.maximlouvres.com.au

**maxim**  
 louvres

DWG No.: MV WIRE GUIDES  
 DWG DATE: 07-NOV-2017